



ADVANCED
ALUMINIUM
SOLUTIONS



ENERGY SOLUTIONS
Architectural Systems



“

Aluminium is our business,

making life better is our passion.

”

INTRODUCTION

- 02 QUALITY LIVING
- 02 ALUMINIUM: A FRIENDLY METAL
- 04 OUR BUSINESS ... OUR PASSION
- 06 INTERNATIONAL INNOVATIVE INSULATION

ELVIAL PREMIUM PRODUCTS

- 09 ELVIAL INSULATION WALL
- 10 SECURITY
- 11 ELVIAL ADVANCED SEALING SYSTEM
- 11 PERFECT FUNCTIONALITY & DURABILITY FOR A LIFETIME
- 12 HIGH AESTHETICS - COLORS

ELVIAL XCLUSIVE SYSTEMS - OUTSTANDING THERMAL INSULATION

- 14 XCLUSIVE 85i² / 86i²
- 16 XCLUSIVE 87i² Aluminium + Wood

ELVIAL MULTILOCK SYSTEMS - HIGH THERMAL INSULATION

- 19 MULTILOCK 5600i²
- 20 MULTILOCK 4600i²

ELVIAL SLIDE / LIFT & SLIDE SYSTEMS - HIGH THERMAL INSULATION

- 23 LIFT & SLIDE 6800i²
- 24 SLIDE - LIFT & SLIDE 6700i²
- 25 SLIDE - LIFT & SLIDE 6500

ELVIAL MAIN ENTRANCE SYSTEMS - OUTSTANDING THERMAL INSULATION

- 27 XCLUSIVE 88i² Main Entrance

QUALITY LIVING

Modern urbanization sets people inside buildings for more than 90% of their total daily time (York University, York.ac.uk). Sleeping, eating, working, entertainment and the rest of our actions take place within the walls.

Since 1970, when contemporary urban model appeared through the mass construction of block of flats, new diseases developed due to the environment inside the new buildings (SBS: Sick Buildings Syndrome).

That is why, designing and construction should fulfill the highest expectations in terms of lighting, ventilation, warmth /coolness and soundproof.

Windows play a leading part to all the above, as they affect many of those factors that set a building “user friendly”.

ALUMINIUM: A FRIENDLY METAL

Aluminium allows rooms to “breathe” and at the same time, by using contemporary technology methods, offers **exceptional Thermal Insulation**.

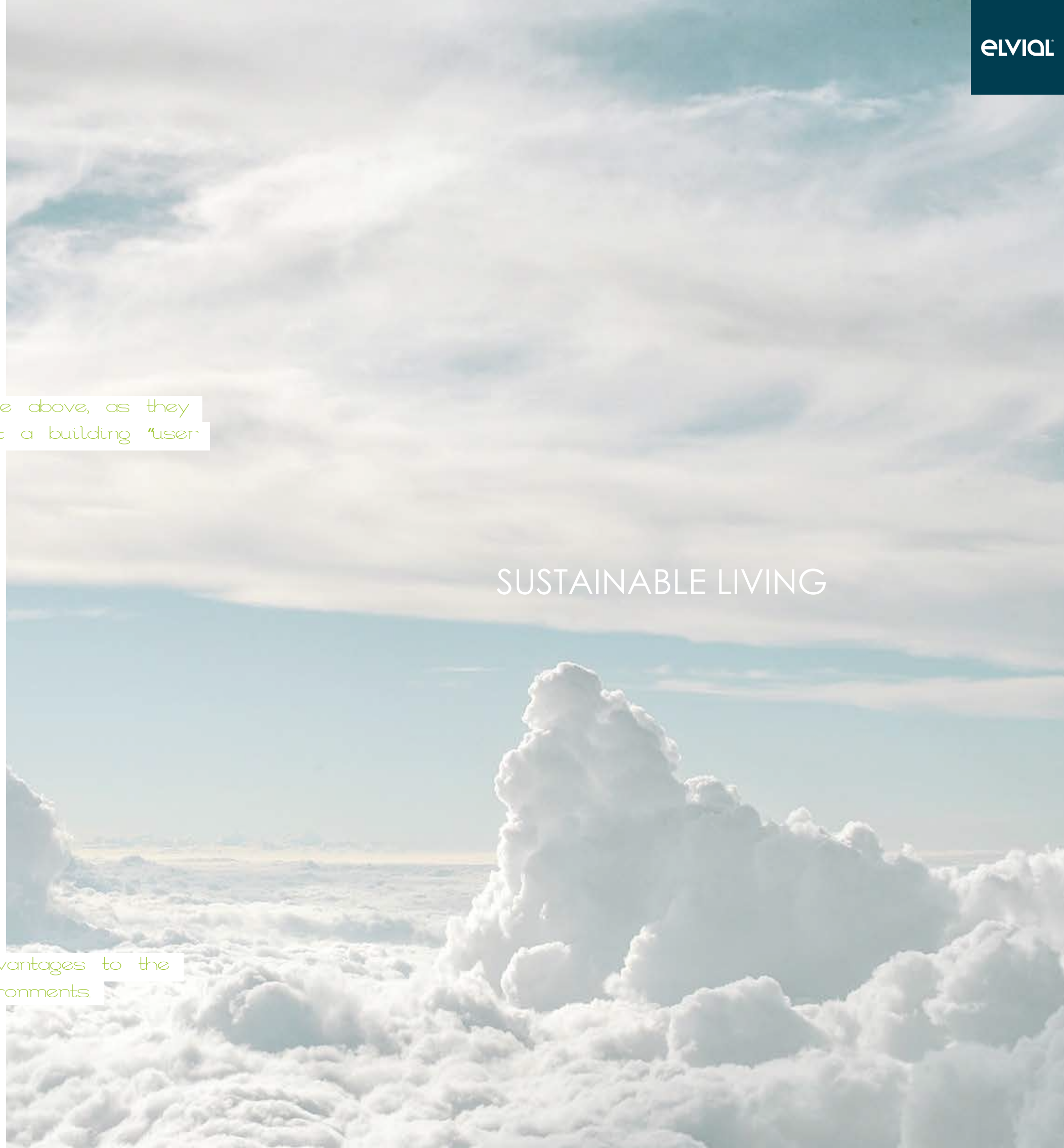
Aluminium belongs to light metals, with high strength, suitable for large constructions that allow the inflow of natural light.

Aluminium is durable, adding timeless value to buildings needing the least of maintenance.

It is 100% recyclable, using only 5% of the total primary energy needed, to get recycled.

Aluminium windows offer numerous advantages to the building users and create quality environments

SUSTAINABLE LIVING



OUR BUSINESS... OUR PASSION

ELVIAL aims to be part of the solution for contemporary socio – environmental issues, therefore **we design imaginatively** and **we produce responsibly**. We create novelties that **answer to every need of yours**.

I NEED SECURITY:

In the year 2004 ELVIAL responded to the fundamental issue of security, inventing the **international, patented innovation ELVIAL MULTILOCK**. ELVIAL MULTILOCK systems achieve **exceptional anti-burglar performance**, having up to **21 steel locking points**, around the window, ensuring security even to tilt position.

I NEED THERMAL INSULATION:

In the year 2014 with the international innovative **Technology ELVIAL I²**, we offer premium thermal insulation, applied to a full range of products, ideally combined with all the advantages that ELVIAL aluminium products offer: **security, soundproof, excellent functionality & durability for a lifetime, high aesthetics - colors - different color inside & outside**.

I NEED GARANTEED QUALITY & PROMISING CUSTOMER CARE:

We design, we produce and distribute **ELVIAL** systems **exclusively** in our high - end, robotic industrial complex. For the construction and the placement of your aluminium windows we cooperate only with **distinguished partners** that dispose the highest quality and technology standards.

We constantly invest in **cutting -edge Technology** and **robotic Logistic Systems**, while we believe that **our most precious resource is our People**. We produce according to the strictest Standard for Aluminium Extruded Profiles **EN15088** (CE marking) and all our processes are managed according to **ISO 9001:2008**.

In that way, we ensure factory quality and excellent customer care.

We respect the environment, producing under the **ISO 14001:2004** and we function according to **OHSAS 18001:2007** ensuring health and safety inside the premises, because we believe that our responsibility does not only concern our premium quality products but also to our every day actions.



2

INNOVATIVE
INSULATION
TECHNOLOGY

ELVIAL

INTERNATIONAL INNOVATIVE INSULATION TECHNOLOGY

by ELVIAL.

ELVIAL recognizes that during difficult socio - economical periods, a **money -saving technology** fulfills every contemporary architectural need and becomes a true **opportunity** and **passport** for a **sustainable and promising future**.

That is why we develop pioneering solutions, in order to **boost the economy** in combination with environmental protection for future generations.

That is what ELVIAL I² Technology stands for.

TECHNOLOGY ELVIAL I²

Additional **Insulation Zone** with **foam filled** thermal brake chamber.

The profile thermal transmittance value (Uf) can be improved up to 38%.

INSULATION MATERIAL ELVIAL I²

- ▶ With **CERTIFIED** - from the accredited Body CEIS- thermal conductivity value $\lambda = 0,023 \text{ W/mK}$
- ▶ Has the **optimum density** for perfect thermal insulation
- ▶ Custom made for ELVIAL

⊕ FACTORY ASSURANCE

I² Technology is **exclusively** implemented in the robotic industrial complex of **ELVIAL**, without any further, outsource interference.

⊕ APPLICATION RANGE

There is a full range of products available, consisted from the thermal brake **MULTILOCK**, **XCLUSIVE** and **LIFT & SLIDE** series, fulfilling every consumer's need, covering a plethora of design options.

⊕ CONSUMER BENEFITS

For the first time, consumers enjoy the valuable advantages of **security**, **soundproof**, **perfect functionality & durability for a lifetime**, **high aesthetics** with colors and double colors (different color inside & outside) ideally combined with **excellent thermal insulation for direct gain**.



elvial-i2.eu

THE FOLLOWING PAGES CONCERN ALL OF YOU THAT YOU ARE LOOKING FOR...

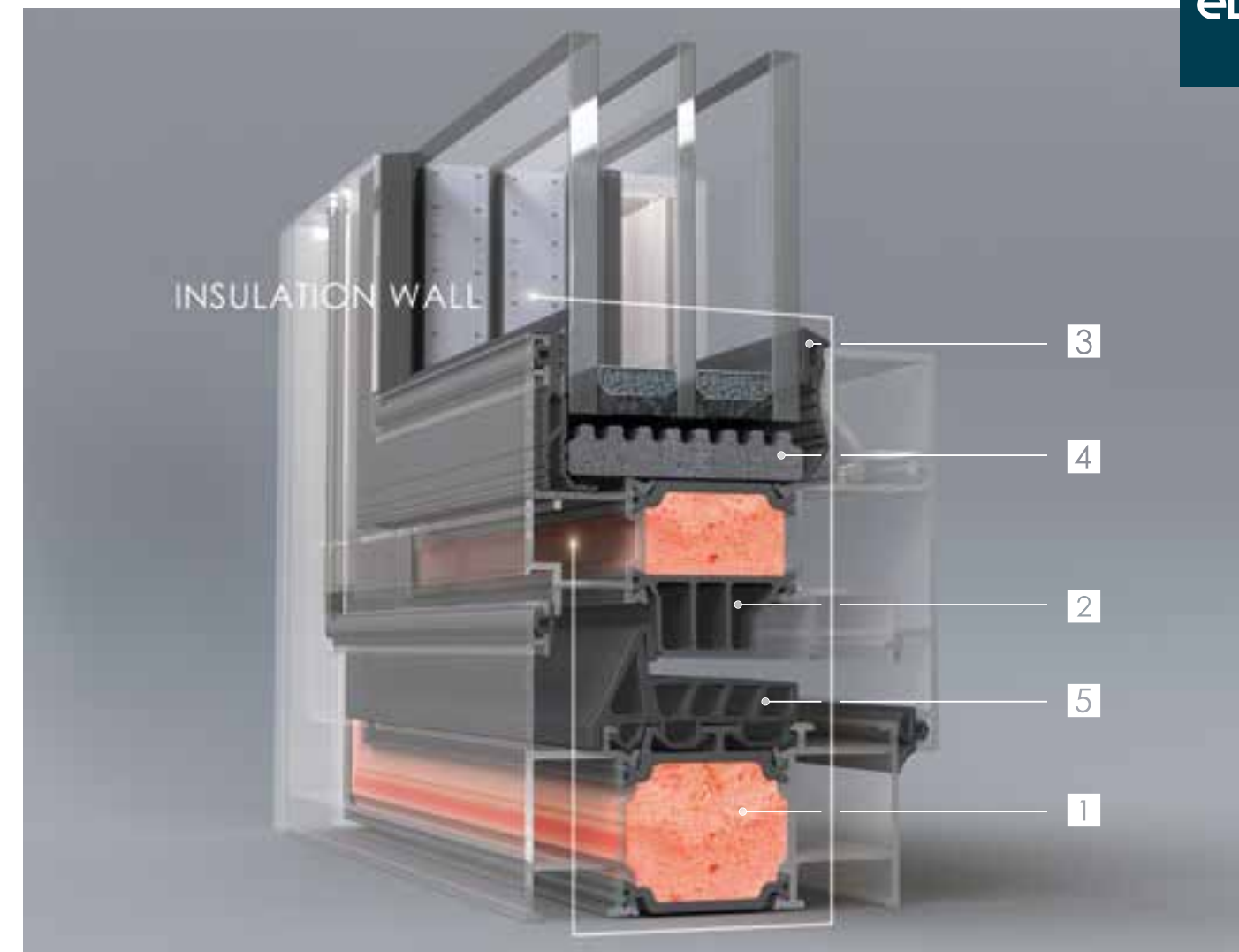
↓ Practical upgrade of your project, emphasizing on details.

↓ Ways to get informed about all those topics that are related to contemporary values and trends.

↓ Improvement of your environmental print.

↓ Application of all principles and values related to environment - society - people.

↓ Superiority and added value compared to the competition.



ELVIAL INSULATION WALL

Optimum insulation of a building, not only creates comfortable living, but also energy saving, that automatically means **economical** and **environmental benefit**.

In ELVIAL, we "build" an insulation wall to the aluminium systems.

The application of the new **Technology ELVIAL I² 1**, optimizes the isothermal flow and eliminates the transmission of the heat by radiation. **Polyamide** or **Polythermide bars 2**, that interfere between the inside and the outside part of the profile, are used for the effective insulation of a window. The width and the shape of the bar differentiate the energy performance of the system.

One of the weakest points of construction is the meeting point of the sash and the glazing. Using **perimetrical glazing gaskets with fins 3** as well as **low density polyethylene 4**, this spot gets perfectly insulated. The **cellular central gasket 5** fully covers the polyamide and becomes an additional insulation zone for the window.



SECURITY

Feeling secure is an irreplaceable value, while protecting our beloveds is a primitive instinct.

According to statistics, 8 out of 10 house burglaries, where caused by breaking the windows.

Creating Safe Environments is our priority, that is why we invented the international patented **ELVIAL MULTILOCK** systems.

ELVIAL MULTILOCK systems excel to five crucial points and were the first aluminium systems that were **WK2** certified:

- 1 perimetric locking up to 21 points exclusively with:
 - ▶ “mushroom head”, steel armour pins (not roller)
 - ▶ special safety **locking plates**, that prevent from unlocking in case of a burglary.

For lift & slide systems a **special anti lift mechanism** is applied, preventing from lifting and finally removing the sash.
- 2 **Tubular glazing bead** succeeds ultimate resistance against any pressure, attempting to subtract the glass out of the window.



- 3 **Secustik handles** that make more difficult to move the window fitting unlawfully from outside.
- 4 Certified according to DIN EN 356 Class P4A, **security glazing**.
- 5 Window mounting in galvanized steel frame, fixed with steel nails in masonry, or alternatively anchoring in concrete with special screw - anchors without plugs (type SPAX - RA) or similar.



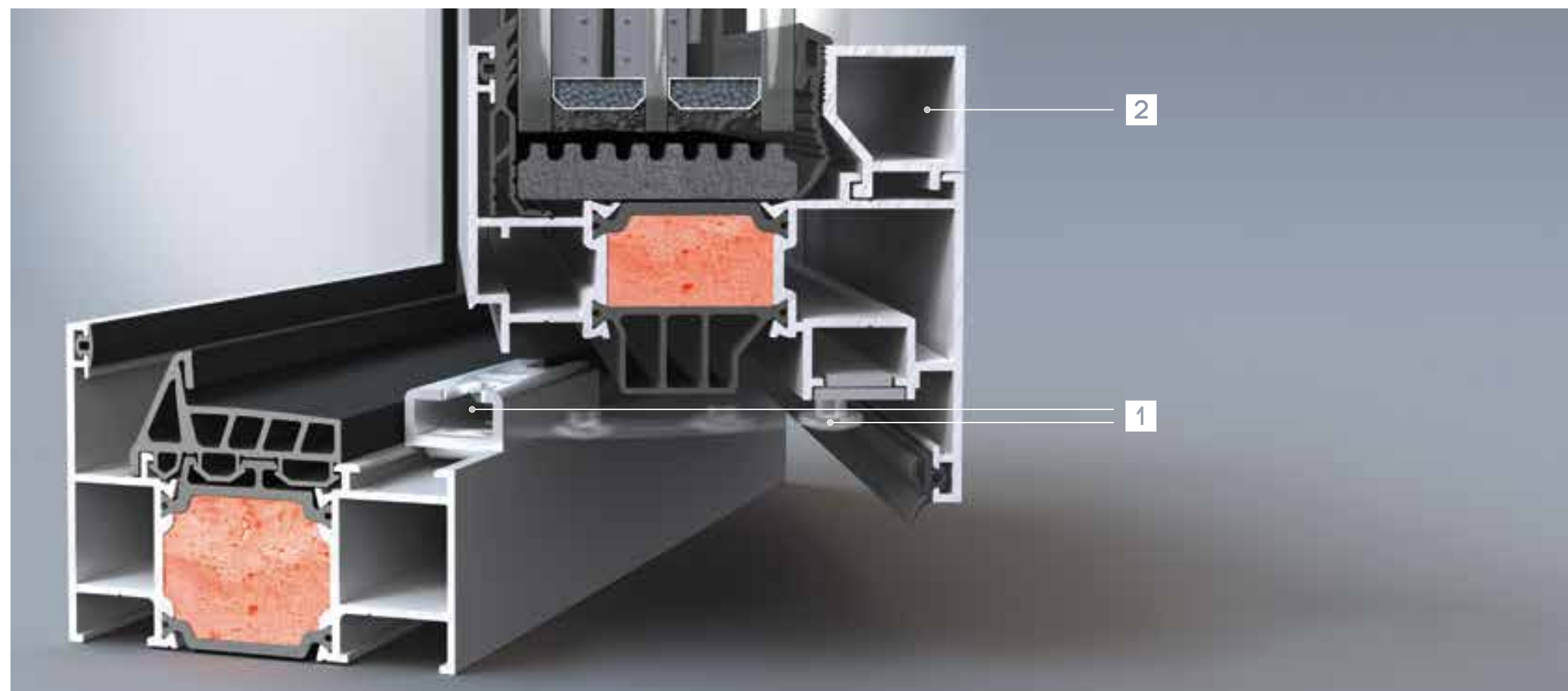
ELVIAL ADVANCED SEALING SYSTEM

ELVIAL products offer exceptional water resistance (up to 300Pa) and wind permeability resistance (Class 4 – EN12210).

In opening systems we emphasize to the mullion (joining point of the 2 sashes), choosing **mullion end cups**, specially designed, made of double material (TPV+EPDM) sealing perfectly onto the profile, ensuring excellent water tightness.

We set as a precondition the use of **EPDM gasket corners** for the central and the outer glazing gasket, protecting effectively one of the weakest points of a window construction.

Special drainage channels on the frame and on the sash, that prevent water from flowing to the inner part of the profile.



PERFECT FUNCTIONALITY FOR A LIFE TIME

A quality window requires the least of maintenance and functions perfectly for a lifetime.

The characteristics and the mechanism of a window are the key to its robustness.

In openings, we use **solid corners joints** with specially design recesses to fasten the hinge pins, absorbing the glazing weight and ensuring the long lasting operation of the final product.

In lift & slides we use 2 kind of corner joints:

1. **Crimped** corner joints (use of crimping machine).
2. **Mechanical corner joints**, innovatively designed, **clutching to the aluminium** and not to the polyamide.

We use **alignment corners** made of polyamide material, giving extra rigidity. For systems specially designed for complex and demanding constructions we choose special **alignment corners with channels for glue inflow**, that re-enforce the construction and make a perfect assembly.

We prefer European labeled mechanisms (hinges, locking systems e.t.c.), that fulfill high quality standards. To heavy duty systems we design profiles with re-enforced thickness for **high values of moment of inertia**.

HIGH AESTHETICS – COLOR OPTIONS

Superficial processes of profiles are: powder coating and anodizing. Both ways of overcoating, mainly protect the profile from possible erosion and secondly give perfect finish.

We dye all of our products thoroughly, to the vertical powder coating unit using special multitronic robots. There are 12, chrome free, chemical preparation stages creating a **super durable substrate** that ensures **long lasting final result**. The whole coloring procedure is **QUALICOAT** and **SEASIDE CLASS** certified, because we insist not only to high quality but to **certified quality** also.

We cooperate with **distinguished powder suppliers** world wide, ensuring the best of quality.

We offer **400+ color shades** proving you with numerous options.

Our proposal is double color, different color inside and outside. A high aesthetics suggestion, custom made for you.

Colors can affect the image and the feeling of an environment. Choosing colors is a **pleasant procedure that activates our creativity and upgrades our everyday living**.

Which colors do you chose?



XPERIENCE



The New Window Systems ELVIAL **XCLUSIVE 85i² / 86i²**, are here to offer superior performance in energy efficiency, safety, sound insulation & contemporary design.



XCLUSIVE 86i² Multilock

XCLUSIVE 85i² / 86i²



FEATURES + BENEFITS

OUTSTANDING THERMAL INSULATION

- U_f** : 0.9 - 1.6 W/m²K
- U_w^{*}** : 1.3 W/m²K with double glazing (U_g: 1.0)
- U_w^{**}** : 1.3 W/m²K with double glazing (U_g: 1.0)
- U_w^{*}** : 0.97 W/m²K with triple glazing (U_g: 0.6)
- U_w^{**}** : 1.1 W/m²K with triple glazing (U_g: 0.6)
- U_w^{*}** : 0.9 W/m²K with triple glazing (U_g: 0.5)
- U_w^{**}** : 1.0 W/m²K with triple glazing (U_g: 0.5)

Three insulation levels:

- ▶ Optimized **foam-filled insulation zone (ELVIAL I² Technology)** that ensures excellent isothermal flow of the window.
- ▶ **Multi-chamber polyamide bars 34mm** with glass fibers reinforcement 25%, (PA6.6 25 GF), for excellent insulation and extra rigidity.
- ▶ Specially designed **central gasket with 5 cavities** that covers all the polyamide surface, **glazing gaskets with fins** and **perimetrical insulation** with low density polyethylene, for effective heat transfer minimization.

SECURITY

Certified **RC2 (WK2) security level**, with up to **21 perimetric locking points**.

DURABILITY FOR A LIFETIME

Width up to 1.600mm / sash ■ **Height** up to 2.400mm
Weight up to 130kg / sash ■ **Glazing** up to 60mm

Perfect functionality:

- ▶ **3 Axis polyamide alignment corners** with channels for **glue inflow**, for extra rigidity of the final product.
- ▶ **Corner Joints** with specially designed **recesses to fasten the hinge pins** absorbing the glazing weight and ensuring long lasting operation of the final product.
- ▶ Re-enforced profile wall thickness (1.5 – 2.0 mm) with **high values of moment of inertia**, suitable for wide and complex constructions.

ADVANCED SEALING SYSTEM, CONSISTED OF:

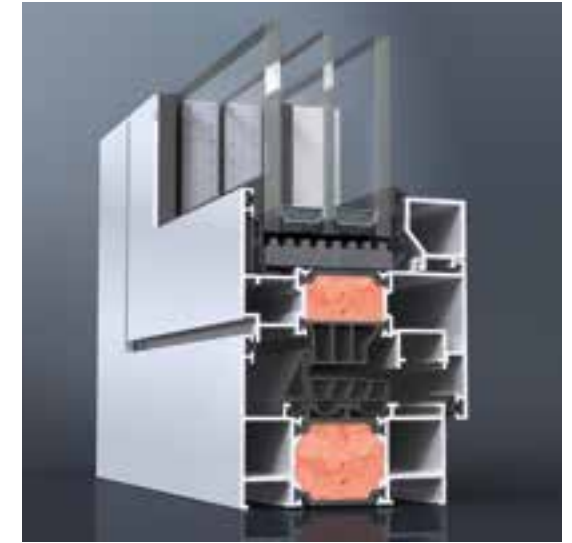
- ▶ Innovative **Mullion End Cap** made of TPV + EPDM to seal perfectly onto the profile, ensuring excellent watertightness.
- ▶ EPDM **Gasket Corners** for the central gasket and the outer glazing gasket.
- ▶ **Special drainage channels** on the frame and on the sash, which prevent water from flowing to the inner part of the profile.

BASIC SYSTEM DEPTH: 77mm

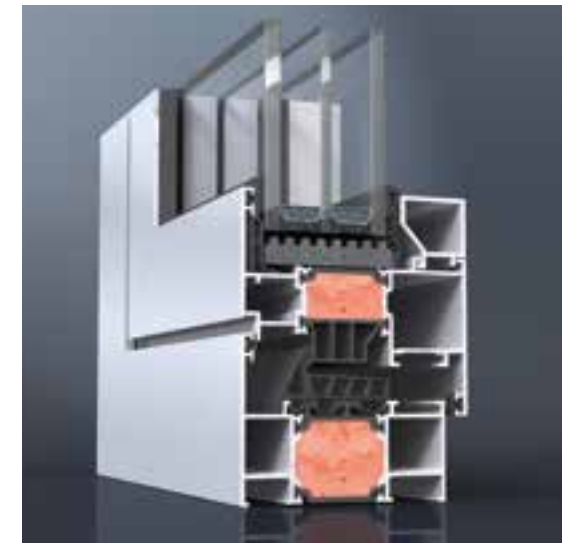
MINIMUM FACE WIDTH F-S: 109.5mm

SOUND REDUCTION

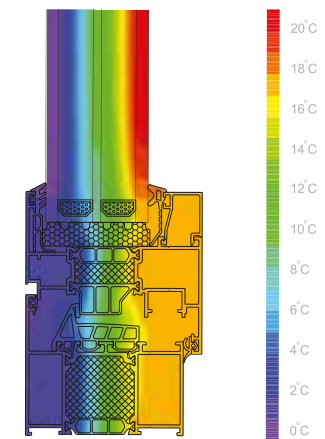
Certified **43dB** Sound Reduction.



XCLUSIVE 86i² Multilock



XCLUSIVE 85i² Camera Europea

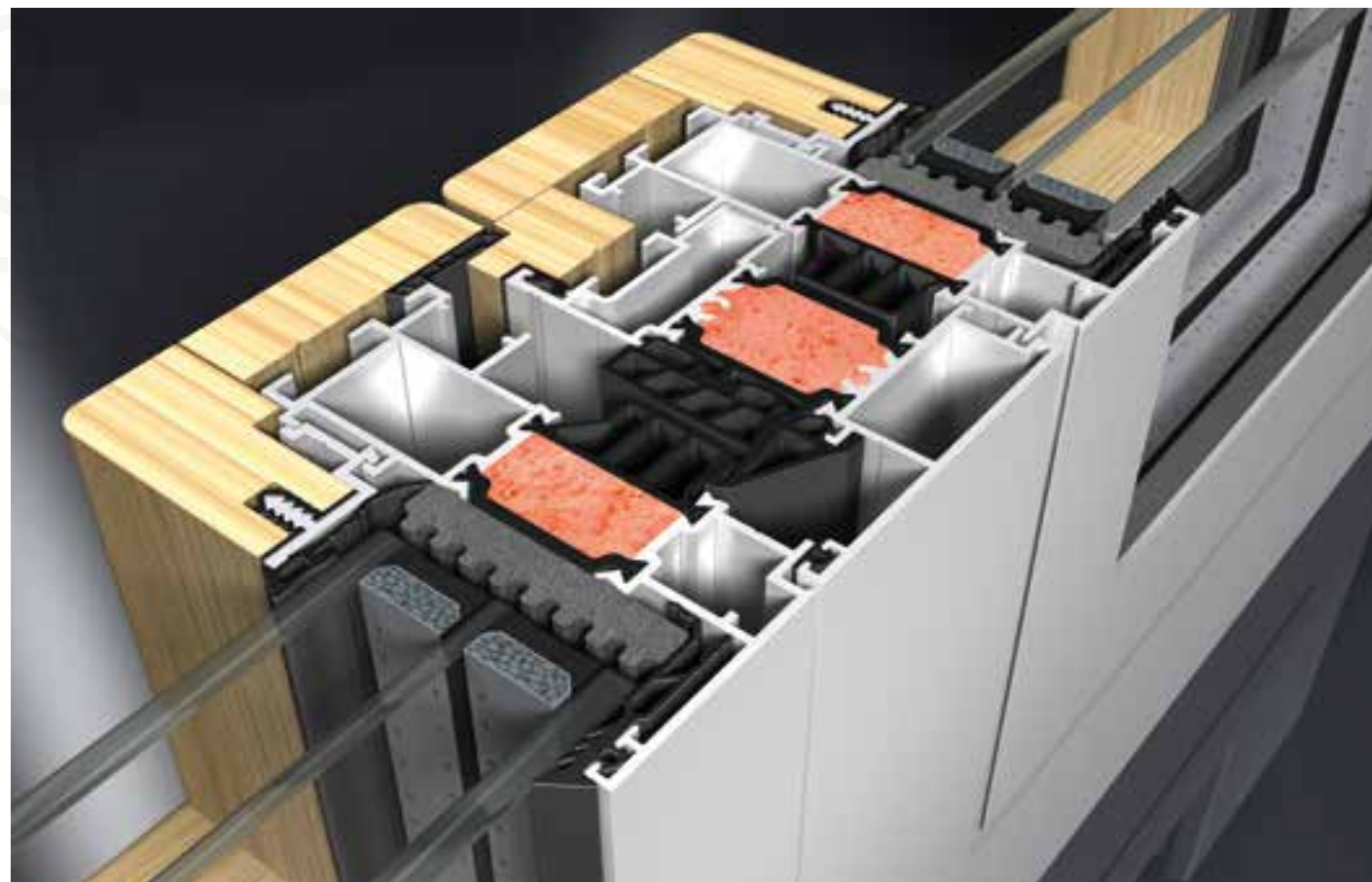


XCLUSIVE 86i² Multilock
Isothermal Flow

* One sash construction 1.300mm X 2.200mm
 ** Double sash construction 1.500mm x 2.200mm



With the New Window System ELVIAL **XCLUSIVE 87i²**, the outstanding thermal insulation and all the benefits of aluminium, are ideally combined with the classical look and feel of wood.



XCLUSIVE 87i² Aluminium + Wood

XCLUSIVE 87i²

Aluminium + Wood



FEATURES + BENEFITS

OUTSTANDING THERMAL INSULATION

- U_f : 1.1 - 1.4 W/m²K
- U_w* : 1.2 W/m²K with double glazing (U_g: 1.0)
- U_w** : 1.3 W/m²K with double glazing (U_g: 1.0)
- U_w* : 0.9 W/m²K with triple glazing (U_g: 0.6)
- U_w** : 1.0 W/m²K with triple glazing (U_g: 0.6)
- U_w* : 0.83 W/m²K with triple glazing (U_g: 0.5)
- U_w** : 0.93 W/m²K with triple glazing (U_g: 0.5)

Three insulation levels:

- ▶ Optimized **foam-filled insulation zone (ELVIAL I² Technology)** that ensures excellent isothermal flow of the window.
- ▶ **Multi-chamber polyamide bars 34mm** with glass fibers reinforcement 25%, (PA6.6 25 GF), for excellent insulation and extra rigidity.
- ▶ Specially designed **central gasket with 5 cavities** that covers all the polyamide surface, **glazing gaskets with fins** and **perimetrical insulation** with low density polyethylene, for effective heat transfer minimization.

SECURITY

WK2 security level, with up to **21 perimetric locking points**.

DURABILITY FOR A LIFETIME

Width up to **1.600mm** /sash ■ Height up to **2.400mm**
 Weight up to **130kg** /sash ■ Glazing up to **48mm**

Perfect functionality:

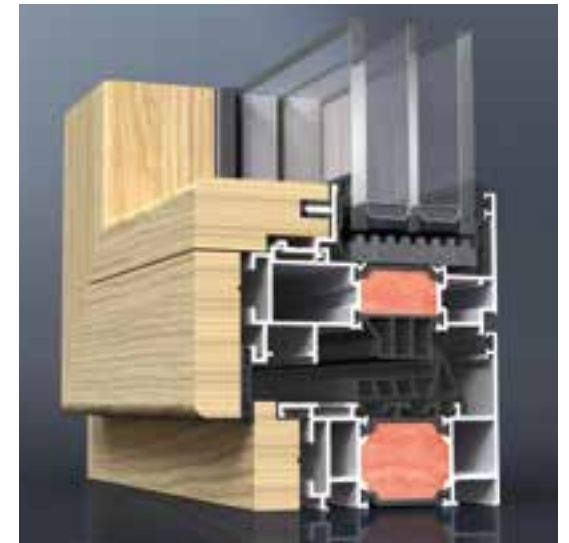
- ▶ **3 Axis polyamide alignment corners** with channels for **glue inflow**, for extra rigidity of the final product.
- ▶ **Corner Joints** with specially designed absorbing the glazing weight and ensuring long lasting operation of the final product.
- ▶ Re-enforced profile wall thickness (1.5 – 2.0 mm) with **high values of moment of inertia**, suitable for wide and complex constructions.
- ▶ Luxurious appearance with wood **all over the inside surface**, even on the adjoining profile.
- ▶ **2 handles**, one for each sash, for optimum ergonomics and peerless design.

ADVANCED SEALING SYSTEM, CONSISTED OF:

- ▶ Innovative **Mullion End Cap** made of TPV + EPDM to seal perfectly onto the profile, ensuring excellent watertightness.
- ▶ EPDM **Gasket Corners** for the central gasket and the outer glazing gasket.
- ▶ **Special drainage channels** on the frame and on the sash, which prevent water from flowing inside the inner part of the profile.

BASIC SYSTEM DEPTH: 92mm

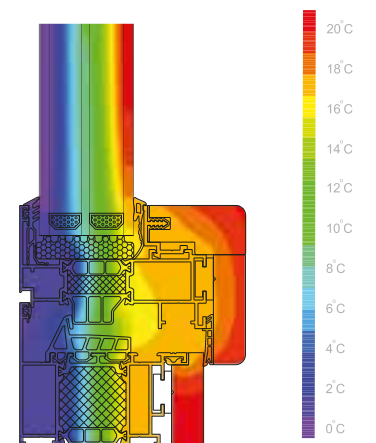
MINIMUM FACE WIDTH F-S: 109.5mm



XCLUSIVE 87i² Aluminium + Wood



XCLUSIVE 87i² Aluminium + Wood



XCLUSIVE 87i² Aluminium + Wood Isothermal Flow

* One sash construction 1.300mm X 2.200mm
 ** Double sash construction 1.500mm x 2.200mm

MULTILOCK 5600i²

FEATURES + BENEFITS

With international patent in 27 countries, the ELVIAL **MULTILOCK 5600i²** system offers advanced solutions for safety and energy efficiency plus unmatched durability, resisting 89-102 klm wind speeds.

HIGH THERMAL INSULATION

- U_f** : 2.0 - 2.3 W/m²K
- U_w*** : 1.5 W/m²K with double glazing (U_g: 1.0)
- U_w**** : 1.6 W/m²K with double glazing (U_g: 1.0)
- U_w*** : 1.2 W/m²K with triple glazing (U_g: 0.6)
- U_w**** : 1.3 W/m²K with triple glazing (U_g: 0.6)

Three insulation levels:

- ▶ Optimized **foam-filled insulation zone (ELVIAL I² Technology)** that ensures excellent isothermal flow of the window.
- ▶ **Polyamide bars maximum size 22mm** with glass fiber re-enforcement 25% (PA6.6 25 GF), for improved insulation and extra rigidity .
- ▶ Central gasket, **glazing gaskets with fins** and perimetrical insulation with low density polyethylene, for effective heat transfer minimization.

SECURITY

Certified **WK2** security level, with up to **21 perimetric locking points**.

DURABILITY FOR A LIFETIME

Width up to 1.350mm /sash ■ **Height** up to 2.350mm
Weight up to 130kg /sash ■ **Glazing** up to 53mm

Perfect functionality:

- ▶ **Customized alignment corners** made of polyamide, for extra rigidity of final product.
- ▶ **Corner joints with specially designed recesses** to fasten the hinge pins and absorb the glazing weight.

ADVANCED SEALING SYSTEM, CONSISTED OF :

- ▶ **EPDM gasket corners** for the central gasket, the outer glazing gasket and the perimetric gasket.
- ▶ Optimized EPDM specimen to connect the Mullion End Cup with the central gasket, for effective watertightness.
- ▶ Special drainage channels on the frame and on the sash, which prevent water from flowing to the inner part of the profile.

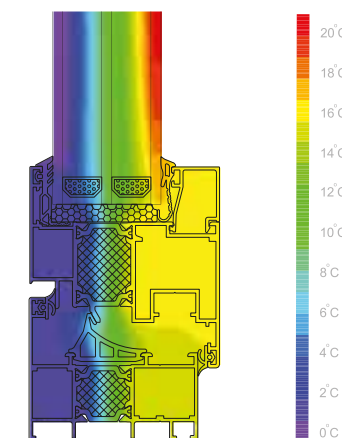
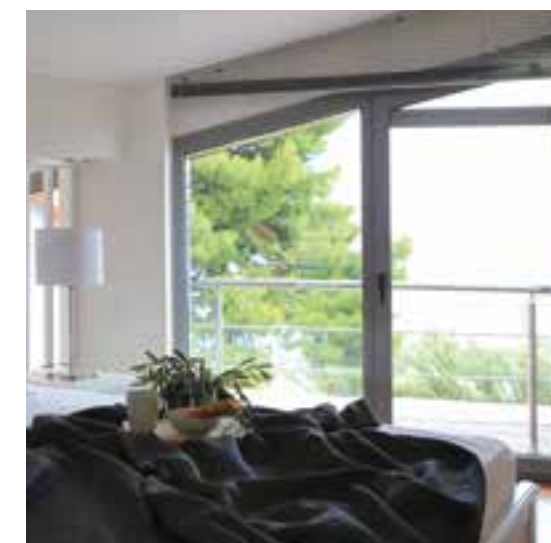
Water tightness result: **E900**, Ift Rosenheim Germany.

 **BASIC SYSTEM DEPTH:** 66.9mm / 75.2mm

 **MINIMUM FACE WIDTH F-S:** 108.2mm



5600i² Multilock



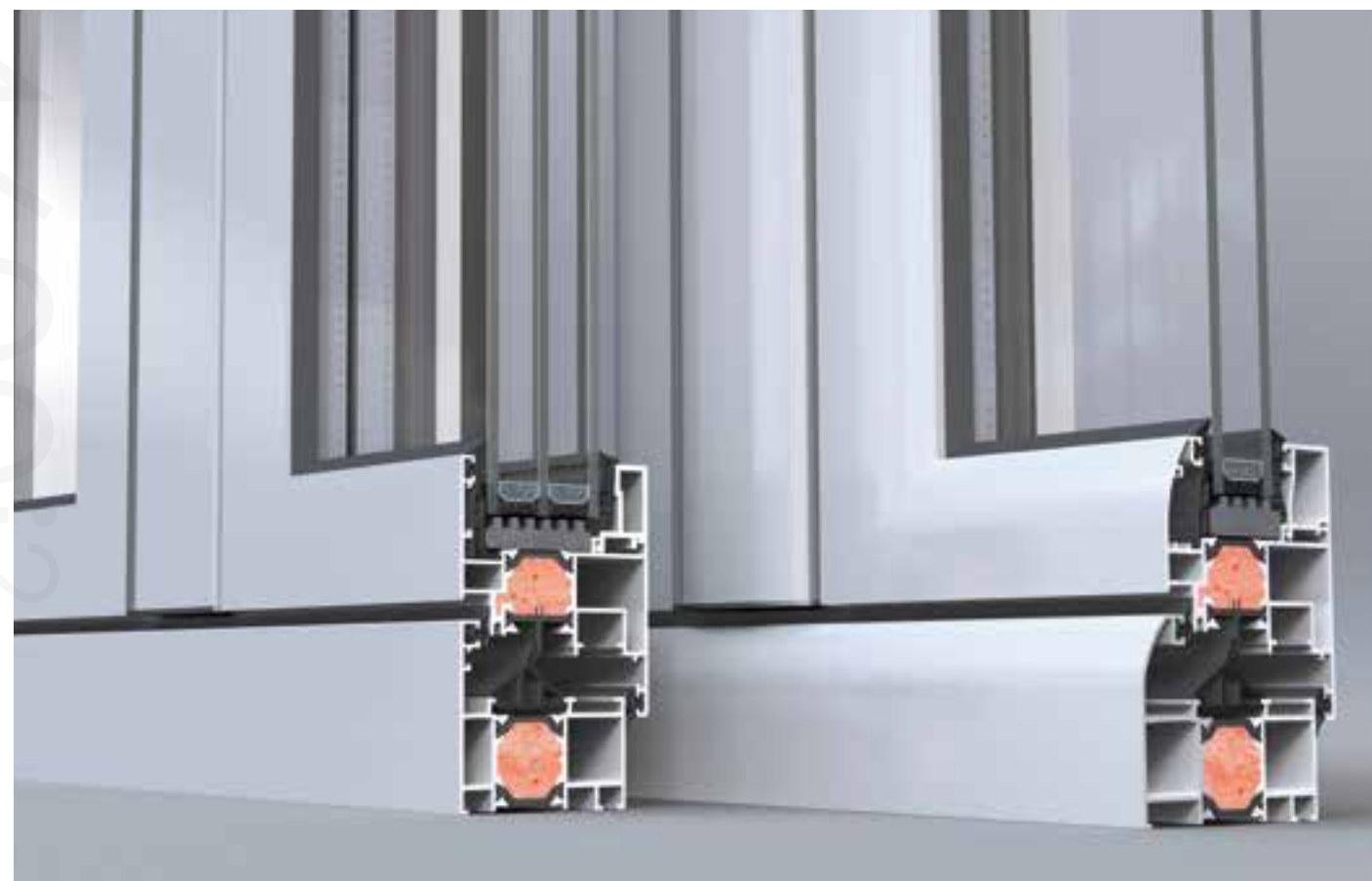
5600i² Multilock Isothermal Flow

* One sash construction 1.300mm X 2.200mm
 ** Double sash construction 1.500mm x 2.200mm





A pioneering technology, patented in 27 countries, that offers improved energy efficiency and high energy levels



4600i² Multilock (linear & curved line)

MULTILOCK 4600i²



FEATURES + BENEFITS

☀️ HIGH THERMAL INSULATION

- Uf : 1.8 - 2.2 W/m²K
- Uw* : 1.5 W/m²K with double glazing (Ug: 1.0)
- Uw** : 1.5 W/m²K with double glazing (Ug: 1.0)
- Uw* : 1.2 W/m²K with triple glazing (Ug: 0.6)
- Uw** : 1.2 W/m²K with triple glazing (Ug: 0.6)

Three insulation levels:

- ▶ Optimized **foam-filled insulation zone (ELVIAL I² Technology)** that ensures excellent isothermal flow of the window.
- ▶ **Polyamide bars** maximum size **24mm** with glass fiber re-enforcement 25% (PA.6.6 25 GF), for improved insulation and extra rigidity.
- ▶ **Central gasket, glazing gaskets with fins and perimetrical insulation** with low density polyethylene, for effective heat transfer minimization.

🔒 SECURITY

WK2 security level, with up to **21 perimetric locking points**.

∞ DURABILITY FOR A LIFETIME

Width up to **1.000mm** /sash ■ Height up to **2.250mm**
Weight up to **90kg** /sash ■ Glazing up to **45mm**

Perfect functionality:

- ▶ Customized alignment corners **made of polyamide, for extra rigidity of final product.**
- ▶ **Corner joints with specially designed recesses** to fasten the hinge pins and absorb the glazing weight.

🔧 ADVANCED SEALING SYSTEM, CONSISTED OF:

- ▶ **EPDM gasket corners** for the central gasket, the outer glazing gasket and the perimetric gasket.
- ▶ Optimized EPDM specimen to connect the Mullion End Cup with the central gasket, for effective watertightness.
- ▶ Special drainage channels on the frame and on the sash, which prevent water from flowing to the inner part of the profile.

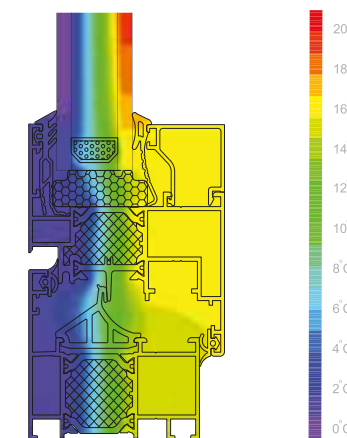
Water tightness result: **E900**, Ift Rosenheim Germany.

📏 **BASIC SYSTEM DEPTH:** 58.6mm / 69mm

📏 **MINIMUM FACE WIDTH F-S:** 102.1mm



4600i² Multilock



4600i² Multilock Isothermal Flow

* One sash construction 1.000mm X 2.200mm
** Double sash construction 1.500mm x 2.200mm

20

21

HIGH INSULATION SLIDING AND LIFT & SLIDE SOLUTIONS

MODERN ARCHITECTURE perceives the outdoor space as an extension of the indoor living and aims to offer to the building maximum comfort and space efficiency.

The Sliding Systems are the ideal solution to these needs. With their large glass surfaces, they offer maximum transparency and allow more natural light to penetrate the building, while giving extra freedom and flexibility in space utilization.



FEATURES + BENEFITS

The heavy duty, Lift & Slide system, ideal for large openings, provides the best of the view combined with remarkable thermal insulation values

 **HIGH THERMAL INSULATION**

Uf : 3.9 - 6.0 W/m²K
 Uw* : 1.7 W/m²K with double glazing (Ug: 1.0)
 Uw* : 1.3 W/m²K with triple glazing (Ug: 0.6)

Three insulation levels:

- ▶ Optimized **Foam Filled insulation zone (ELVIAL i² technology)** that ensures excellent isothermal flow of the window.
- ▶ **Polyamide Bars** maximum size **24mm** with glass fibers re-enforcement 25% (PA6.6 25GF) for high insulation and extra rigidity.
- ▶ **Glazing gaskets with fins** and **perimetrical insulation** with low density polyethylene, for effective heat transfer minimization.

 **SECURITY**

WK2 security level, using optional **Anti-lift** mechanism.

 **DURABILITY FOR A LIFETIME**

Width up to **3.000mm** / sash ■ Height up to **2.896mm**
 Weight up to **300kg** / sash ■ Glazing up to **44mm**

 **ADVANCED SEALING SYSTEM, CONSISTED OF :**

Water and Air proofing with **EPDM gaskets** and a **complete set of innovative sealing specimens** made of cellular rubber for both Successive & Inwall constructions (lift & slide edition)



6800i² Lift & Slide (one sliding sash & a fixed glazing part)

SPECIAL FEATURES:

- ▶ Option of **Electro motion** with remote control
- ▶ Offers **Ergonomics**
- ▶ **Silent** Function
- ▶ **Easy** use and **smooth** sliding
- ▶ **Solid** Construction
- ▶ **Modern, linear** Design
- ▶ Use of **INOX tracks**
- ▶ **Innovative** central sealing and hook sealing
- ▶ Special Edition available with **Sliding Sash** and a **Fixed Glazing part**, where the glazing is placed directly into the frame, creating a **minimalistic look**.

 **BASIC SASH DEPTH:** 65.6mm

 **MINIMUM FACE WIDTH F-S:** 144mm

NUMEROUS DESIGN OPTIONS

- SUCCESSIVE CONSTRUCTION
- ▶ Sliding or L/S : **2** or **3 sashes** & Sliding or L/S with Fly screen: **2** or **3 sashes**
 - ▶ Sliding or L/S Meeting Stile: **4** or **6 sashes** -
 - ▶ Sliding or L/S **1 Sash + 1 Fixed** Glazing part
- INWALL CONSTRUCTIONS
- ▶ Sliding or L/S: **1 sash** (Glazing, Glazing-Fly screen, Glazing - Shutter, Glazing - Fly screen - Shutter) &
 - ▶ Sliding or L/S Meeting Stile: **2 sashes** (Glazing, Glazing-Fly screen, Glazing - Shutter, Glazing - Fly screen - Shutter)

 **SOUND REDUCTION**

Certified **41dB** Sound Reduction.

*Double Sash Successive Construction 6.000mm x 2.750mm

FEATURES + BENEFITS

With its exceptional WATER TIGHTNESS performance(300Pa) & ANTI-BURGLAR features of **WK2 level**, the thermal insulation system **ELVIAL 6700i²** has reasonably gained the **first place in the preferences**.

HIGH THERMAL INSULATION

Uf : 2.0 - 4.4 W/m²K (INWALL)
 Uf : 3.5 - 6.0 W/m²K (SUCCESSIVE)
 Uw* : 1.7 W/m²K with double glazing (Ug: 1.0)

Three insulation levels:

- ▶ Optimized **Foam Filled insulation zone (ELVIAL i² technology)** that ensures excellent isothermal flow of the window.
- ▶ **Polyamide Bars** maximum size **24mm** with glass fibers re-enforcement 25% (PA6.6 25GF) for high insulation and extra rigidity.
- ▶ **Glazing gaskets with fins** and **perimetrical insulation** with low density polyethylene, for effective heat transfer minimization.

SECURITY

Certified **WK2** security level, using optional **Anti-lift** mechanism.

DURABILITY FOR A LIFETIME

Width up to **2.000mm** / sash ■ Height up to **2.350mm**
 Weight up to **150kg** / sash ■ Glazing up to **28mm**

Perfect functionality and smooth operation due to **linear alignment** of the glazing weight with the rollers.

ADVANCED SEALING SYSTEM, CONSISTED OF:

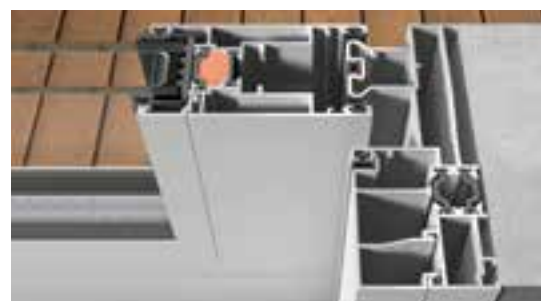
- ▶ Absolute sealing, using special brushes that contain either synthetic or textile membrane (sliding edition).
- ▶ Water and Air proofing with **EPDM gaskets** and a **complete set of innovative sealing specimens** made of cellular rubber for both Successive & Inwall constructions (lift & slide edition).

SPECIAL FEATURES

- ▶ **Silent** function & **Smooth** sliding
- ▶ Use of **INOX tracks**
- ▶ Modern and Linear design aligned to the contemporary Architectural trends with **Narrow Successive Mullion Width 56.0mm** instead of 89.1mm.
- ▶ Optional Use of **3 mechanisms** (L/S 90Kg, L/S 150Kg and simple sliding)
- ▶ **Special edition:** Combination of fixed glazing with sliding sash or lift & slide sash, offering a perfect solution for **HOTELS & PUBLIC BUILDINGS**.

BASIC SASH DEPTH: 46mm

MINIMUM FACE WIDTH F-S: 121.8mm



6700i² Lift & Slide (one sliding sash & a fixed part)

NUMEROUS DESIGN OPTIONS

SUCCESSIVE CONSTRUCTION

- ▶ Sliding or L/S : **2 or 3 sashes** & Sliding or L/S with Fly screen: **2 or 3 sashes**
- ▶ Sliding or L/S Meeting Stile: **4 or 6 sashes**
- ▶ Sliding or L/S **1 Sash + 1 Fixed** Glazing part & Sliding or L/S with Fly screen **1 Sash + 1 Fixed** Glazing part

INWALL CONSTRUCTIONS

- ▶ Sliding or L/S: **1 sash** (Glazing, Glazing-Fly screen, Glazing - Shutter, Glazing - Fly screen - Shutter) &
- ▶ Sliding or L/S Meeting Stile: **2 sashes** (Glazing, Glazing-Fly screen, Glazing - Shutter, Glazing - Fly screen - Shutter)



6500 Lift & Slide (two sash meeting stile construction)

NUMEROUS DESIGN OPTIONS

SUCCESSIVE CONSTRUCTION

- ▶ Sliding: **2 or 3 sashes** & Sliding with Fly screen: **2 or 3 sashes**
- ▶ Sliding Meeting Stile: **4 or 6 sashes**
- ▶ Sliding **1 Sash + 1 Fixed** Glazing part

INWALL CONSTRUCTIONS

- ▶ Sliding: **1 sash** (Glazing, Glazing-Fly screen, Glazing - Shutter, Glazing - Fly screen - Shutter) &
- ▶ Lift & Slide: **1 sash** (Glazing - Fly screen - Shutter)
- ▶ Sliding Meeting Stile: **2 sashes** (Glazing, Glazing-Fly screen, Glazing - Shutter, Glazing - Fly screen - Shutter) & Lift & Slide Meeting Stile: **2 sashes** Glazing - Fly screen - Shutter)

FEATURES + BENEFITS

AN EXCELLENT PROPOSAL for **residential renovations and energy upgrades**. The system offers numerous construction options and has remarkable Uf values - for its category - that improve the energy performance of the building.

HIGH THERMAL INSULATION

Uf : 1.9 - 2.8 W/m²K (INWALL)
 Uf : 3.5 - 4.6 W/m²K (SUCCESSIVE)
 Uw* : 1.8 W/m²K with double glazing (Ug: 1.0)

Two insulation levels:

- ▶ **Polyamide Bars** maximum size **28mm** with glass fibers re-enforcement 25% (PA6.6 25GF) for high insulation and extra rigidity.
- ▶ **Glazing gaskets with fins** and **perimetrical insulation** with low density polyethylene, for effective heat transfer minimization.

SECURITY

WK2 security level, using optional **Anti-lift** mechanism (lift & slide edition).

DURABILITY FOR A LIFETIME

Width up to **2.000mm** /sash ■ Height up to **2.350mm**
 Weight up to **80 kg** /sash (S) & **150kg**/sash (LS)
 Glazing up to **24mm S** & up to **28mm LS**

Perfect functionality and smooth operation due to **linear alignment** of the glazing weight with the rollers

ADVANCED SEALING SYSTEM, CONSISTED OF :

- ▶ Absolute sealing, using special brushes that contain either synthetic or textile membrane (sliding edition)
- ▶ Water and Air proofing with **EPDM gaskets** and a **complete set of innovative sealing specimens** made of cellular rubber for both Successive & Inwall constructions (lift & slide edition)

SPECIAL FEATURES

- ▶ **Silent** function & **Smooth** sliding
- ▶ Use of **INOX tracks**
- ▶ Modern and Linear design aligned to the contemporary Architectural trends with **Narrow Successive Mullion Width 56.0mm** instead of 91.7mm.
- ▶ Optional Use of **3 mechanisms** (L/S 90Kg, L/S 150Kg and simple sliding)
- ▶ **Special edition:** Combination of fixed glazing with sliding sash or lift & slide sash, with significant **cost reduction up to 50%** .
- ▶ Ideal for renovations with Inwall Frame **Depth of only 93.3mm** (Glazing-Fly Screen-Shutter)

BASIC SASH DEPTH: 33mm / 46mm

MINIMUM FACE WIDTH F-S: 119mm

*Double Sash Successive Construction 4.000mm x 2.350mm.

*Double Sash Successive Construction 2.500mm x 2.100mm.

XCLUSIVE 88i²

Main Entrance



FEATURES + BENEFITS

OUTSTANDING THERMAL INSULATION

Uf : > 1.69 W/m²K
 Ud* : 1.2 W/m²K with panel 28mm (Up: 1.0)
 Ud* : 0.95 W/m²K with panel 77mm (Up: 0.6)

Three insulation levels:

- ▶ Optimized **foam-filled insulation zone (ELVIAL I² Technology)** that ensures excellent isothermal flow of the window.
- ▶ **Multi-chamber polyamide bars**, maximum size **34mm** with glass fibers reinforcement 25%, (PA6.6 25 GF), for excellent insulation and extra rigidity.
- ▶ Specially designed **central gasket with 5 cavities** that covers all the polyamide surface and **glazing/panel gaskets with fins**, for effective heat transfer minimization.

SECURITY

Cerified Security Level RC3 (WK3) thanks to its compatibility with wide range of security and anti-burglar locks. Compatible with electronic access control systems. Locking System: **Locks "U" type** 24x6mm.

DURABILITY FOR A LIFETIME

HH: Width up to **1.450mm** /sash ■ Height up to **2.550mm**
 Weight up to **150kg**/sash
T4: Width up to **1.400mm** /sash ■ Height up to **2.350mm**
 Weight up to **220kg**/sash
 Glazing up to **60mm** Panel up to **77mm**

Perfect functionality:

- ▶ **3 Axis polyamide alignment corners** with channels for **glue inflow**, for extra rigidity of the final product.
- ▶ Re-enforced profile wall thickness (1,5 – 1,8mm) with **high values of moment of inertia**, suitable for wide and complex constructions.

ADVANCED SEALING SYSTEM, CONSISTED OF:

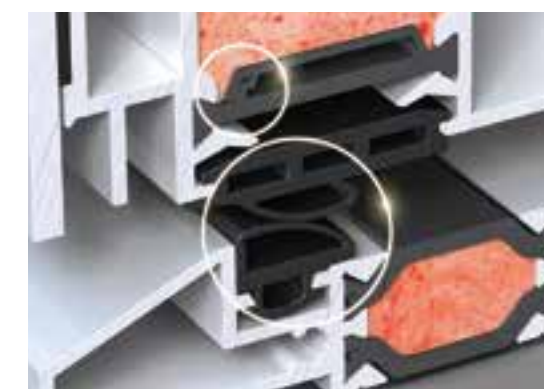
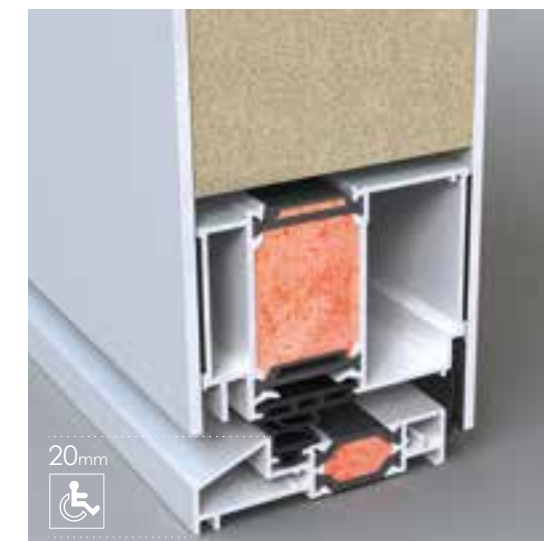
- ▶ **3 Level Sealing System** with EPDM gaskets and **continuous central gaskets on Sash, Frame and Threshold**
- ▶ **EPDM corners** for both central gaskets and the outer glazing gasket
- ▶ Innovative **Mullion End Cap made of TPV** material, sealing perfectly onto the profile, ensuring excellent water tightness

BASIC DEPTH FRAME: 77mm SASH: 77mm

MINIMUM FACE WIDTH K-Φ: 141.2mm T: 82mm

EXTRA FEATURES

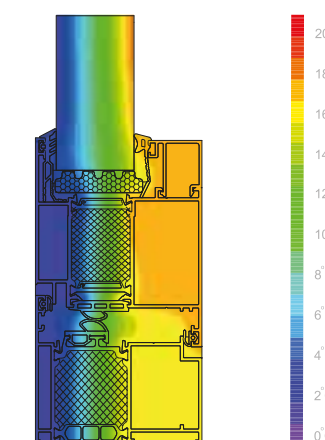
- ▶ **Anti-distortion** glass fiber **polyamides** used on ALL sash profiles, in order to avoid the malfunctions caused by the profile expansion and contraction due to extreme temperature changes (banana effect).
- ▶ **Easy-access** threshold of 20mm.
- ▶ Option of **automatic wind break**.
- ▶ Optional use of various hinges (**hidden hinge**, **external heavy duty hinge**).



XCLUSIVE 88i² Main Entrance

DESIGN FREEDOM

- ▶ **Upgraded face-fitted door** constructions that add value on the building's image
- ▶ **Inward-opening** and **Outward-opening** versions are available in **ALL typologies**
 - > **Single** sash doors
 - > **Double** sash doors
 - > With **fixed parts** and/or with **skylight**
- ▶ **Leaf-enclosing infills** are available on one side or both sides of the sash
- ▶ Customized **Dr.Hann Rollenband hinges** available, in addition to external and cocealed ones.



XCLUSIVE 88i² Main Entrance Isothermal Flow

OUTSTANDING INSULATION, MAIN ENTRANCE SYSTEM

The NEW Entrance System XCLUSIVE 88i² sets new standards in Energy Efficient Doors, offering countless design options with a basic depth of only 77mm.

*One sash construction 1.350mm x 2.500mm.



“

We create partnerships

stronger than aluminium

”



elvial.gr | elviahi2.eu

HEADQUARTERS:

Industrial Park Of Ag. Panteleimonas,
61100 Kilkis, Greece

T: +30 23410 39500
F: +30 23410 64173
E: info@elvial.gr

BRANCH:

Tsimiski & Anexartias Corner
Aspropirgos, Athens, Greece, P.C.:19300

T: +30 210 2801710
F: +30 210 2801719
E: info@elvial.gr



EN

GR

SR

elvial.gr

elvial-i2.eu

